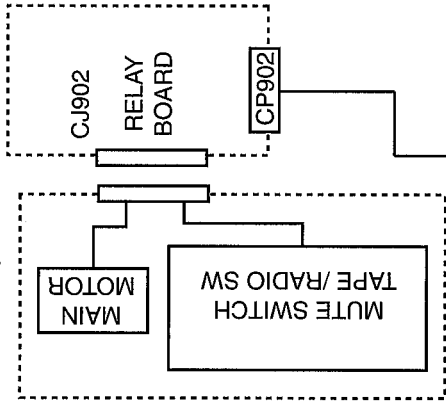


DIRECTION BOARD



TO CD CHANGER

TO SPEAKER CONNECTOR

TO LINE OUT

LRO
RRO

L/R F±
L/R R±

IC941
POWER AMP.
HA13158

OUT LR
OUT RR
OUT LF
OUT RF

IC911
E.VOLUME
TEA6320T

CD RCH
CD LCH

TUNER L/R

TAPE L/R

IC701
SYSTEM CONTROL MICON
UPD178016AGC

SEEK/STOP
MONO.SD/ST
SMETER

TU1
AM/FM TUNER PACK
QAU0058-001

AM
FM

J1

KEY 0~2

CP901

CN901

CJ901

PACK SW.
METAL
F/R

MODE
STANDBY

TAPE END
FF/REW

MOTOR
SUBMO±

TAPE IN

KEY 0~2

CP701

CJ701

LCH
RCH

FF/REW

IC901
HEAD AMPLIFIER
UPC1228HA

LCH
RCH

TAPE IN
MODE
F/R

CJ901

HEAD

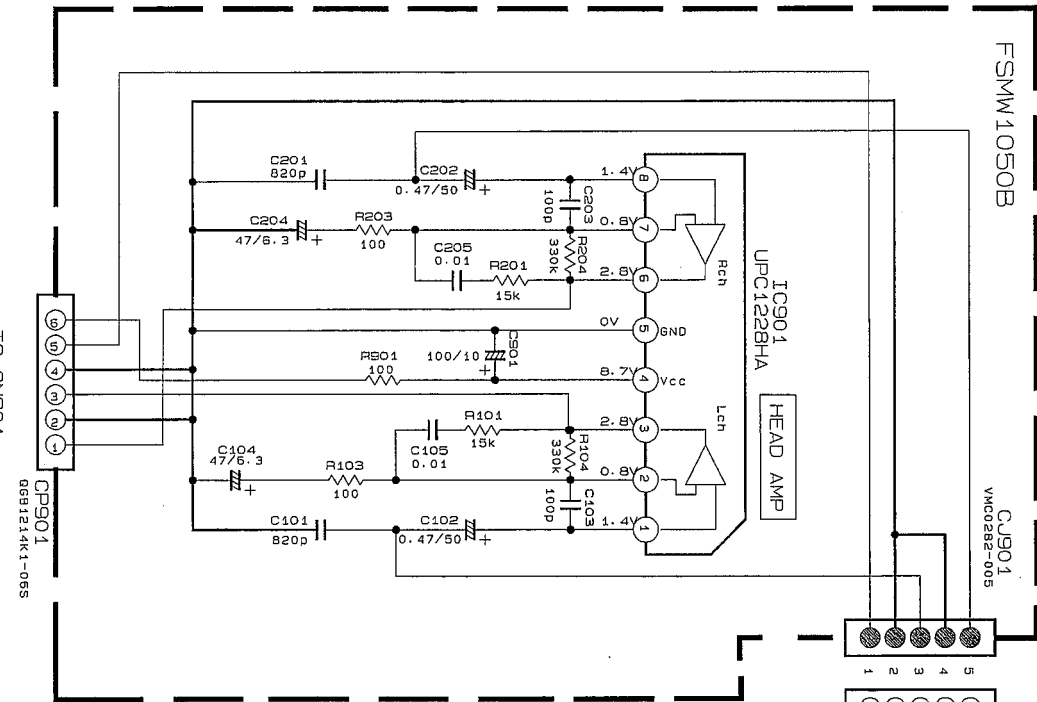
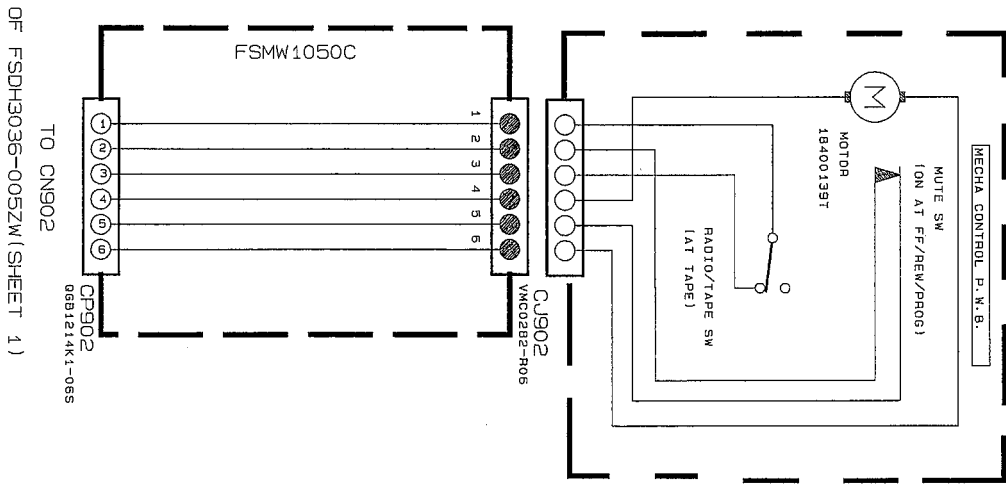


Tuner, Power AMP, Changer/System Controller

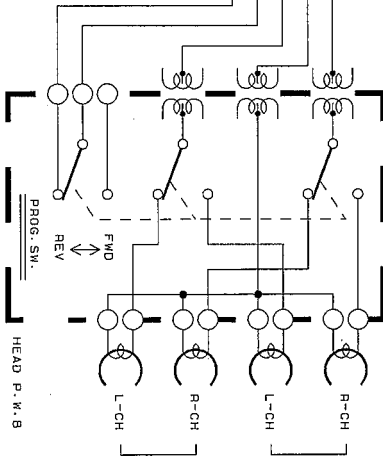
LCD DRIVER/KEY SWITCH CIRCUIT

CASSETTE AMPLIFIER CIRCUIT

Head Amplifier Circuit : Drawing No. FSDH3036-005MW



TO CN901
CP901
0691214K1-06S

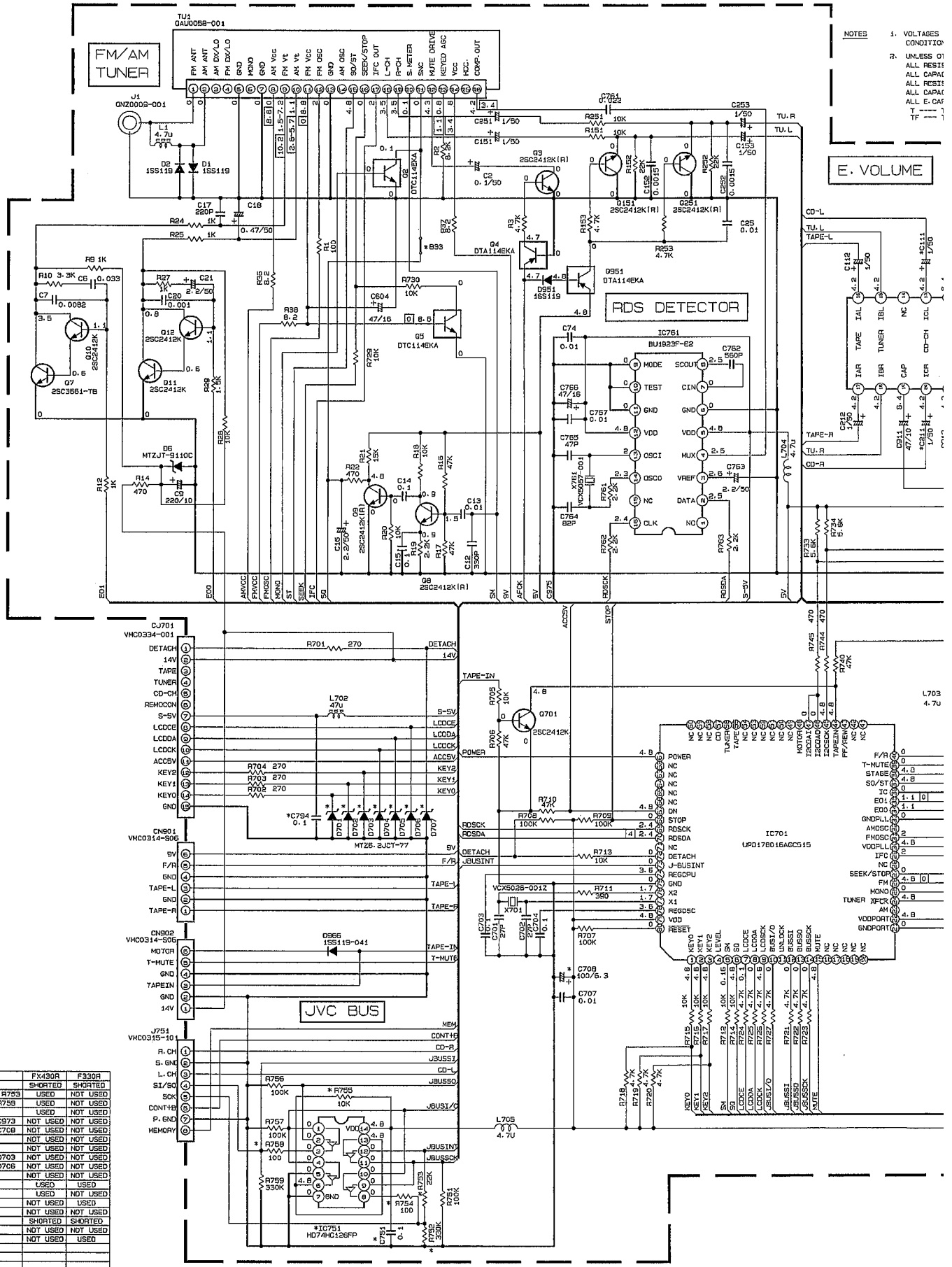


TO CN902
CP902
0691214K1-06S

FSMW1050B
C9901
VMC0282-005

TO CN901
CP901
0691214K1-06S

Receiver & Main Circuit : Drawing No.FSDH3036-005ZW



- NOTES**
1. VOLTAGES
CONDITION
 2. UNLESS O1
ALL RESIST
ALL CAPAC
ALL CAPAC
ALL E. CAF
TF --- 1

#REMARKS

PARTS	FX430R	F330R
IC751, R792, R793	USED	NOT USED
R754, R755, R759	USED	NOT USED
L751, C751	USED	NOT USED
C970, C971, C973	NOT USED	NOT USED
C982, C985, C708	NOT USED	NOT USED
R118, R119	NOT USED	NOT USED
R218, R219	NOT USED	NOT USED
D701, D702, D703	NOT USED	NOT USED
D704, D705, D706	NOT USED	NOT USED
D707	NOT USED	NOT USED
B33	USED	USED
R741	USED	NOT USED
R742	NOT USED	USED
C754	NOT USED	NOT USED
C760	SHORTED	SHORTED
R780	NOT USED	NOT USED
C111, C211	NOT USED	USED

5

4

3

2

1

A

B

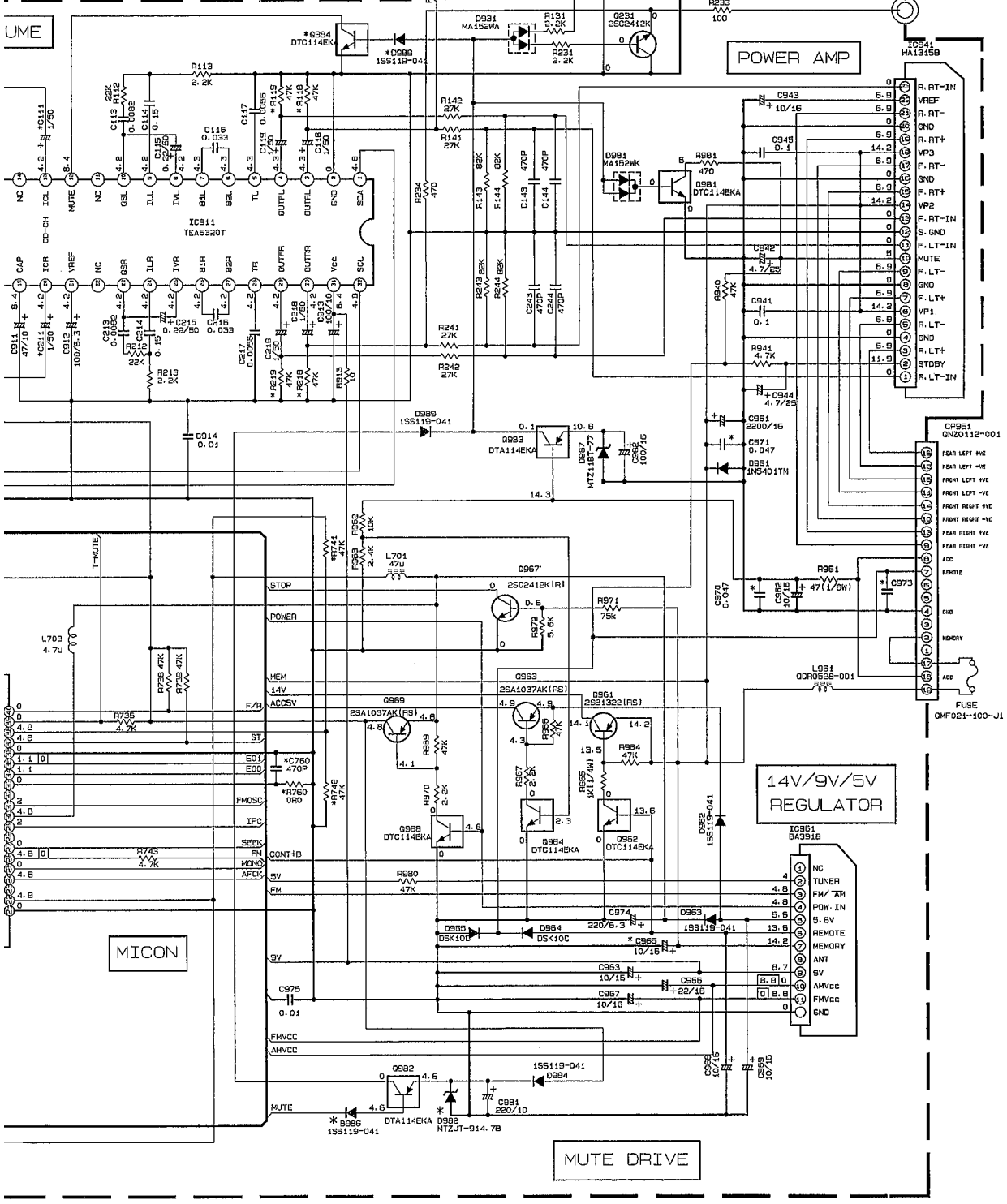
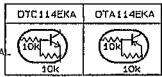
C

D

1. VOLTAGES ARE DC-MEASURED WITH A DIGITAL VOLT METER WITHOUT INPUT SIGNAL CONDITION—FM MODE: AM MODE: TCD MODE:

2. UNLESS OTHERWISE SPECIFIED:

- ALL RESISTORS ARE 1/10W 425 METAL GLAZE RESISTOR.
- ALL CAPACITORS ARE 50V OR 25V CERAMIC CAPACITOR.
- ALL RESISTANCE VALUES ARE IN OHM.
- ALL CAPACITANCE VALUES ARE IN UF (μ=PF)
- ALL CAPACITANCE VALUES ARE SHOWN IN THE FORM OF CAPACITANCE(UF)/RATED VOLTAGE(V)
- T --- T.S.E. CAPACITOR
- TF --- T.F. CAPACITOR



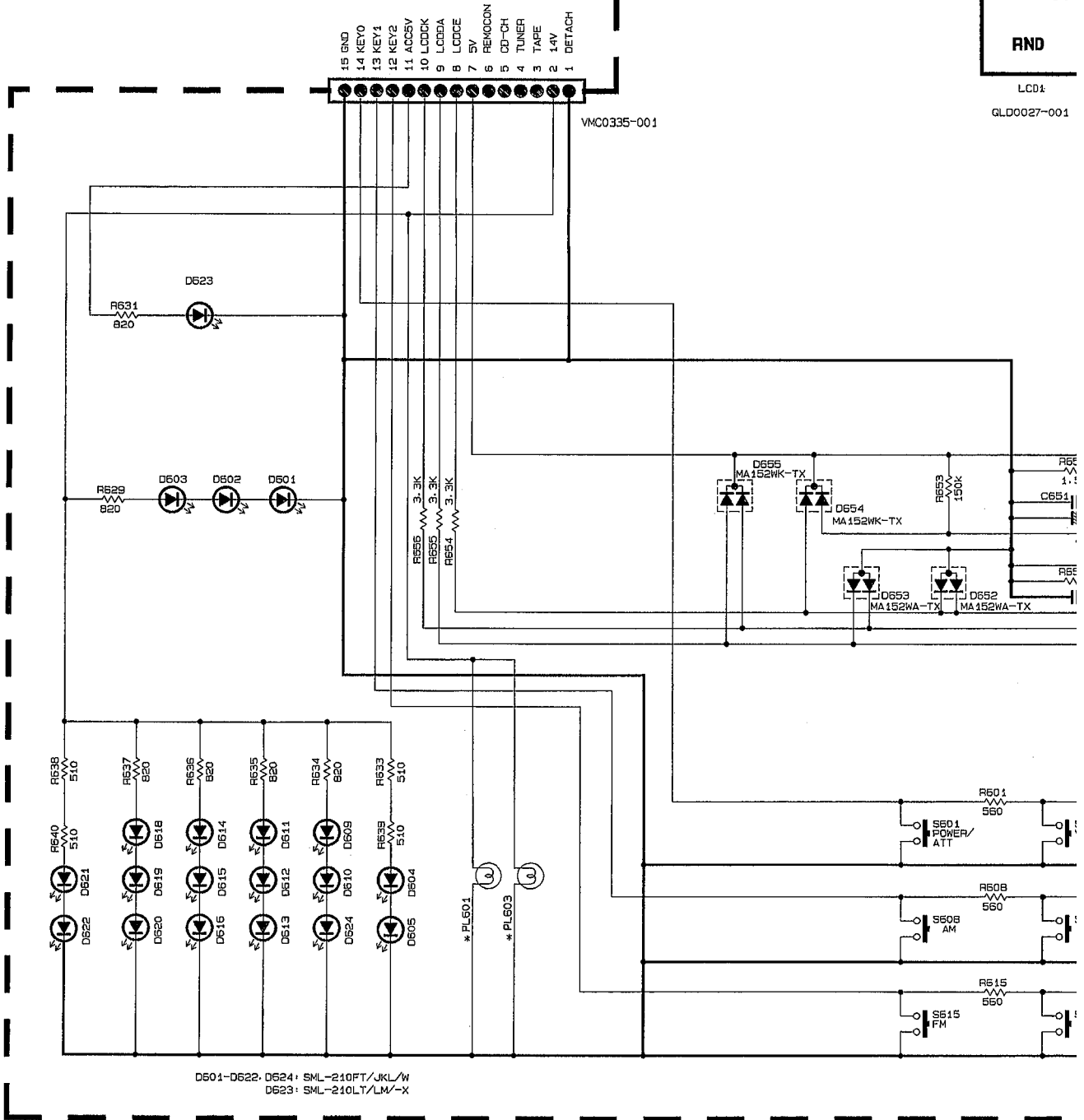
LCD Driver & Operation Switch Circuit : Drawing No.FSDH3036-005SW

NOTES

- VOLTAGES ARE DC-MEASURED WITH A DIGITAL VOLT METER WITHOUT INPUT SIGNAL.
CONDITION - - - FM MODE
- UNLESS OTHERWISE SPECIFIED.
ALL RESISTORS ARE 1/4W 5% CARBON RESISTOR OR 1/4W 1/10W 5% METAL GLAZE RESISTOR.
ALL CAPACITORS ARE 50V CERAMIC CAPACITOR.
ALL RESISTANCE VALUES ARE IN OHM (Ω).
ALL CAPACITANCE VALUES ARE IN μ F(μ F) / RATED VOLTAGE(V).
ALL E. CAPACITORS ARE SHOWN IN THE FORM OF CAPACITANCE(μ F) / RATED VOLTAGE(V).

TO CJ701
FSDH3036-005ZW(SHEET 1)

LOUD R
ST
RND
LCD1
GLD0027-001



D601-D622, D624: SML-210FT/JKL/W
D623: SML-210LT/LM-X

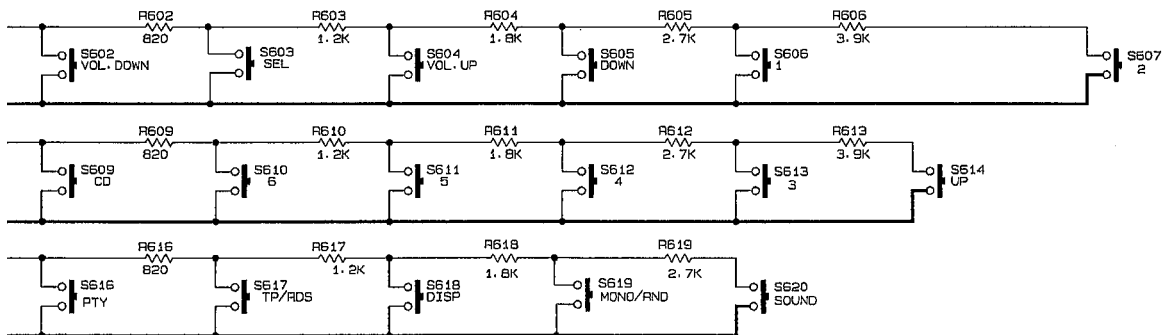
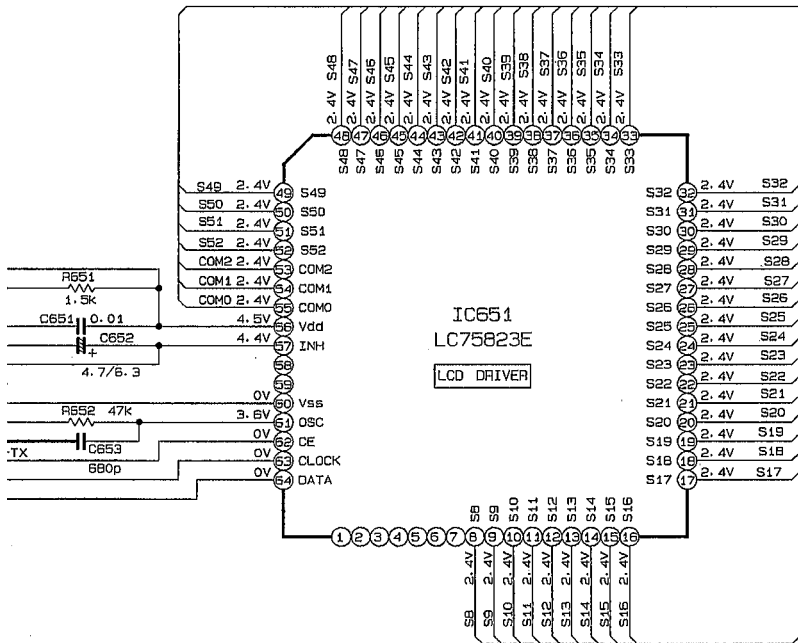
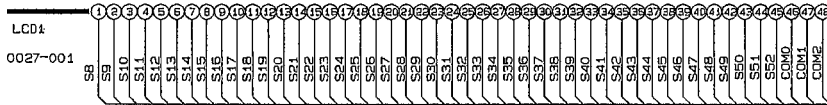
PL da11 gr:0 :

Version	B: E: G
Ref No. PL601, PL603	GLD003-001

LOUD RPT
ST MO
RND



EON
TP NEWS
AF REG



S501-S620 · 0SQ4H11-V09Y

SW. P. W. B. FSMW1051

■ Main Board : Block No. 0 1 (KS-FX430R)

0 2 (KS-F 330R)

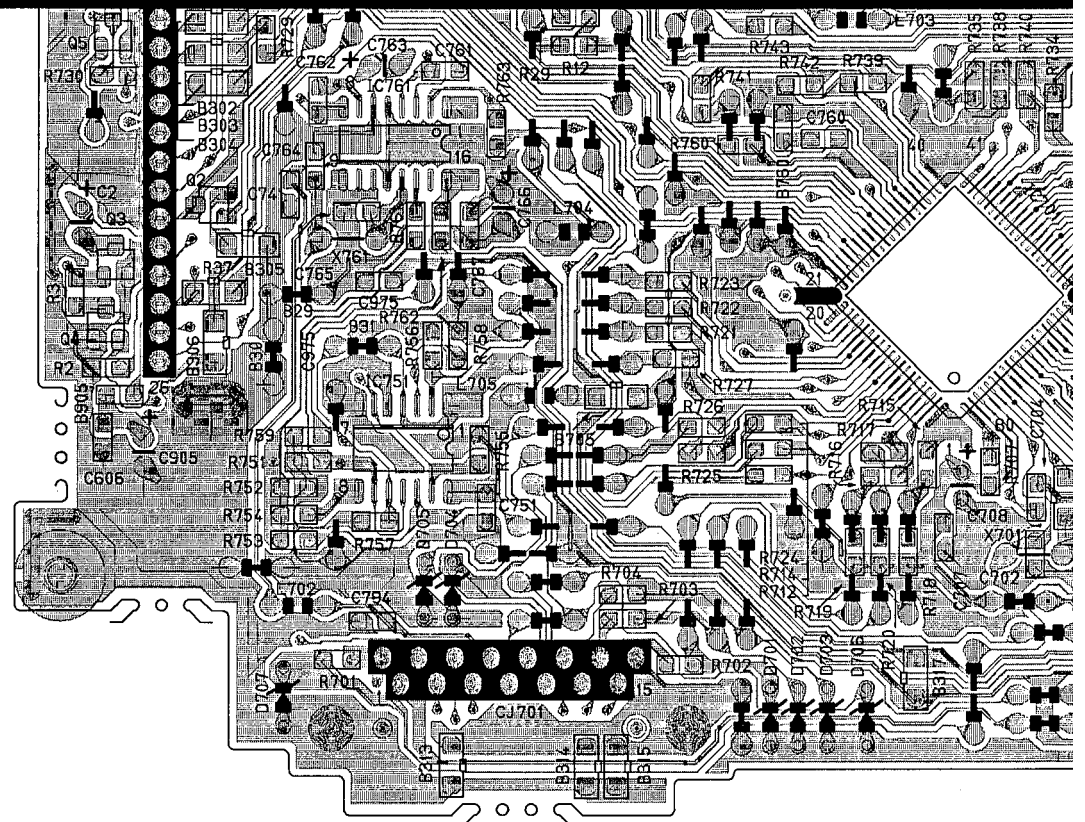
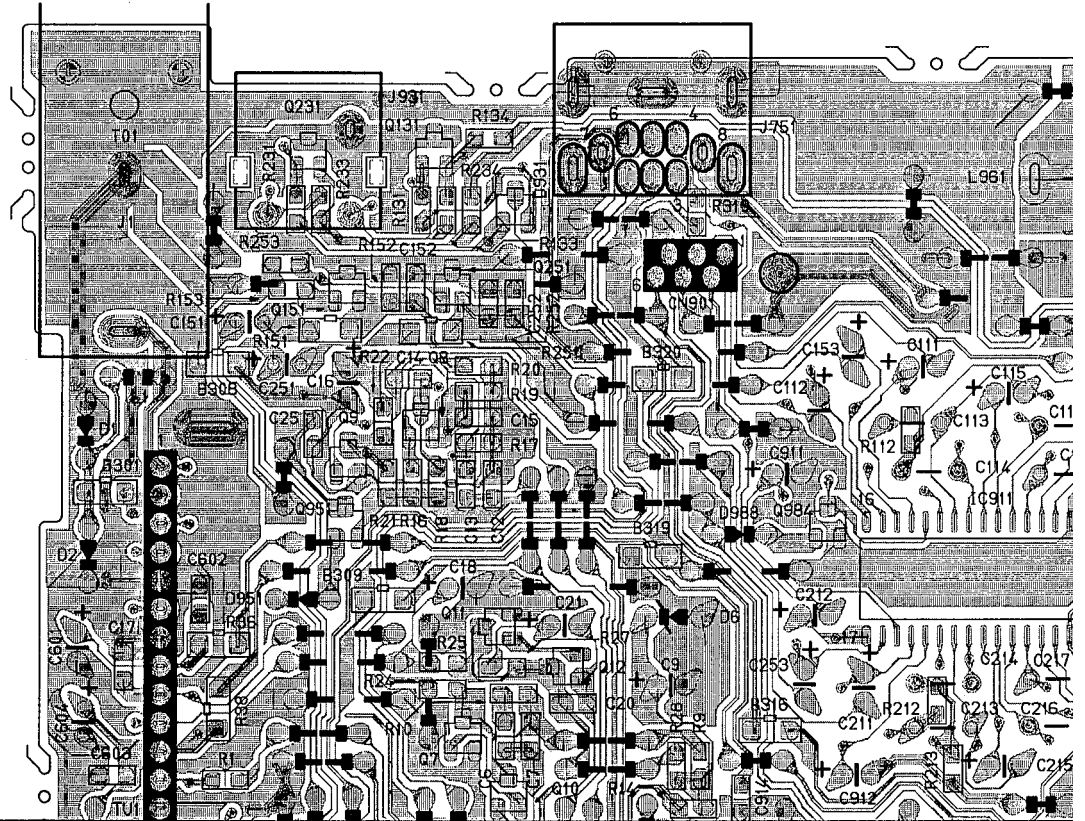
5

4

3

2

1



A

B

C

D

